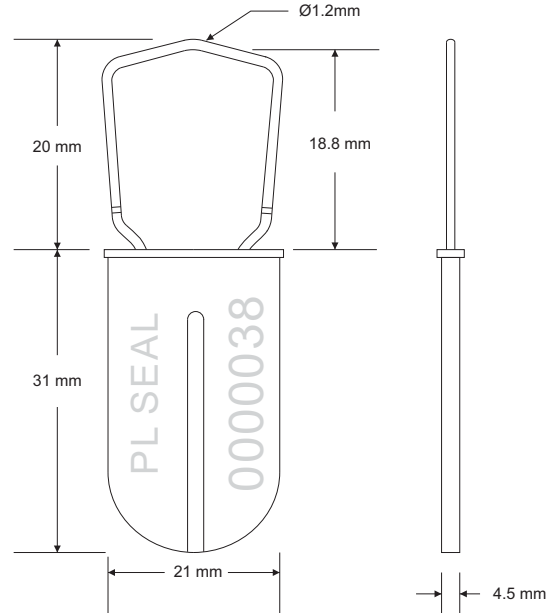
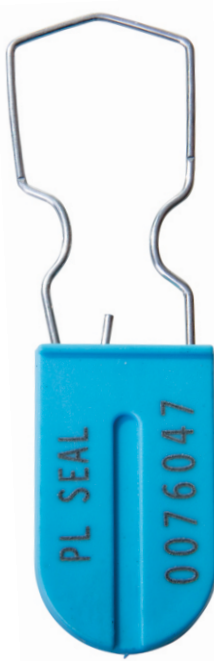


PL SEAL Data Sheet



The **PL Seal** is manufactured from ABS plastic and galvanized steel wire material. The design provides enhanced security and great tamper evidence. The wire seal hasp is scored which allows removal by hand and can be used on a variety of applications.

Technical Data

Recommended Applications

Utilities, Meters
 Airlines
 Cargo
 Trucks
 Laboratories
 CIT
 Mining

Material

Body-Polypropylene
 Wire Hasp-Galvanised Steel

Wire Thickness

1.2 mm

Security

Tamper Evident Indicative Medium

Removal

Hand / Cutting

Marking

Print Option 1. Prefixed & 7 Digit serial number as standard - **Stock**

Made-to-order

Print Option 2. Laser up to 15 Letters

Print Option 3. Laser Logo

Print Option 4. Laser Logo/Text up to 15 Letters + Bar code

Colours Stock

Matt Red, Neon Orange, Neon Yellow, Neon Green, Neon Blue, White

Colours Made-to-order

Dark Green, Dark Blue, Violet, Pink, Brown, Black

Made-to-order, minimum quantities & T&C's apply

Packaging

Standard Packaging : 1,000 seals/box

Carton Dimensions : 32cm x 28cm x 18cm

Weight: 4.2 Kg

