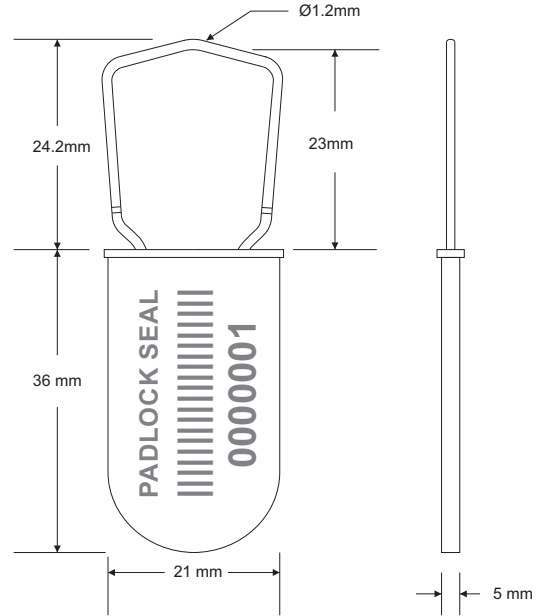


Padlock Seal STS058 Data Sheet



The **TruSeal STS058 Padlock Seal** is manufactured from polypropylene and stainless steel wire material. The design provides enhanced security and great tamper evidence. The wire seal hasp is scored which allows removal by hand and can be used on a variety of applications.

Technical Data

Recommended Applications

Utilities, Meters.
 Airlines
 Cargo
 Trucks
 Laboratories
 CIT

Material

Body-Polypropylene
 Wire Hasp-Stainless Steel

Wire Thickness

1.2 mm

Security

Indicative Medium

Removal

Hand / Cutting

Marking

Print Option 1. Prefixed & 7 Digit serial number as standard
 Print Option 2. Laser up to 15 Letters - Custom
 Print Option 3. Laser Logo - Custom
 Print Option 4. Laser Logo/Text up to 15 Letters + Bar code - **Stock**
 Minimum quantities & T&C's apply.

Colours

White - **Stock**

Special Colours

Matt Red, Pastel Yellow, Pastel Blue & Pastel Green

Packaging

Standard Packaging : 1,000 seals/box
 Carton Dimensions : 30cm x 22m x 30cm
 Weight: 7 Kg



Matt Red



Pastel Yellow



Pastel Blue



Pastel Green



White

TruSeal (Pty) Ltd

34 Fransen Street, Chamdor, South Africa P.O. Box 3778 Witbeek 1729

Tel: +27 11 762 1040 Fax: +27 11 762 2664

Email: sales@truseal.co.za Web: www.truseal.co.za

Facebook: [TruSealSA](https://www.facebook.com/TruSealSA)