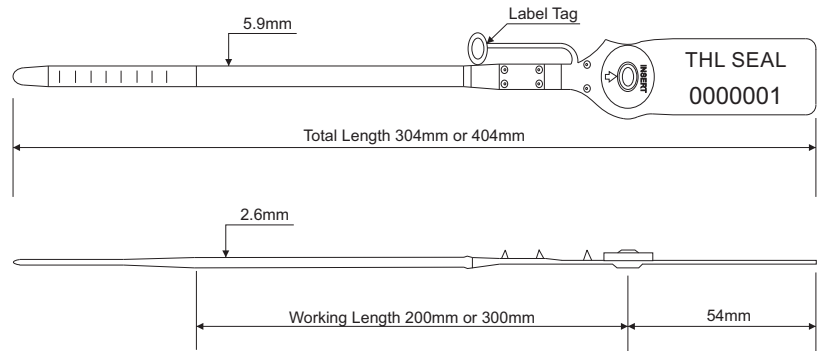
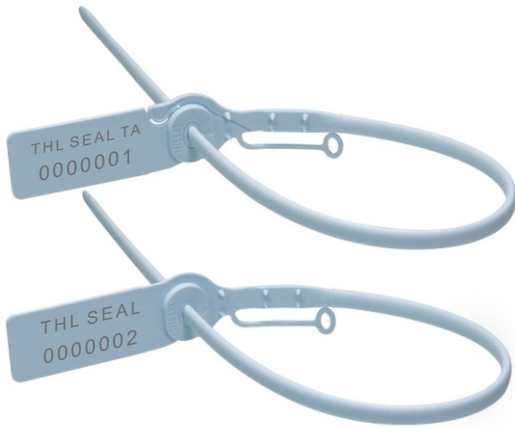


## THL Seal Data Sheet



The **THL Seal** is a smooth ribbon, pull-tight seal manufactured from Polypropylene material. The design profile is unique and features rolled heat staking technology to secure the metal spring insert to the body, thus providing clear evidence of tampering if forced open or cut. The seal is manufactured with gripping spikes and a label holder as standard but with an option of a \*tear off tag if preferred. The excellent breaking strength, combined with a ribbon width of less than 6mm, makes this seal the ideal choice for many applications.

### Technical Data

#### Recommended Applications

Airlines, Cargo, Trailers, Tankers, Rail & Sea  
 Freight, Containers, Refineries, Warehouses,  
 Cash bags, Postbags, Valves, Hatches, Lockers.

#### Material

Body - Polypropylene  
 Insert - Spring Stainless Steel

#### Available Working Length

300mm [overall 404mm] - **Stock Length**

#### Strap Width

5.9mm

#### Average Breaking Strength

40kg

#### Security

Tamper Evident  
 Indicative Medium

#### Removal

Cutting  
 \*Tear off tag version-By hand

#### Marking

Print Option 1. Prefixed & 7 Digit serial number as standard - **Stock**

#### Made-to-Order

Print Option 2. Laser up to 15 Letters - Made -to-order  
 Print Option 3. Laser Logo - Made -to-order  
 Print Option 4. Laser Logo/Text up to 15 Letters + Barcode - Made -to-order  
 Minimum quantities & T&C's apply.

#### Colours

Laser - Matt Red, Pastel shades of Yellow, Blue,  
 Green & White.

#### Packaging

Standard Packaging : 10 per mat and 1,000 seals/carton  
 Carton Dimensions : (L2) - 49cm x 34cm x 15cm  
 Carton weight : (L2) - 5.7kg/carton

ISO 17712:2013 Compliant

