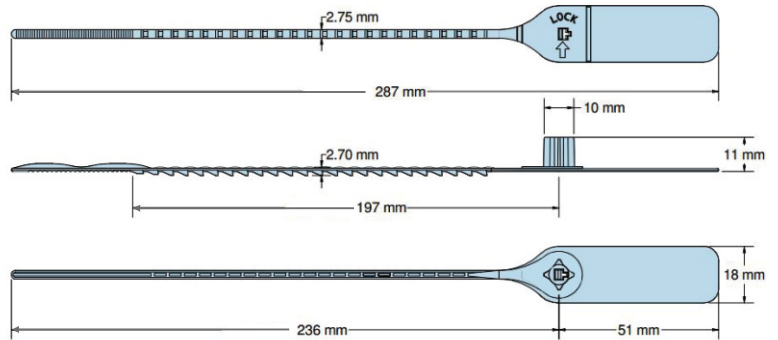


## TM SEAL - Data Sheet



The **TM Seal** is a pull tight seal manufactured from Polypropylene material. The Design offers a cost effective solution for use as an indicative seal with Bar Coding available on request.

### Technical Data

#### Recommended Applications

Grain Tankers, Fuel Tankers, Bulk Feed Tanker, Dry Bulk Tanker, Interlink Truck, Valves, Hatches, Lockers

#### Material

Polypropylene with Biodegradable Additives

#### Available Working Length

197mm

#### Strap Width

2.75 mm

#### Average Breaking Strength

12kg

#### Security

Tamper evident medium  
Indicative

#### Removal

Cutting or Strong Hand

#### Marking

Print Option 1. Prefixed & 7 Digit serial number as standard - **Stock**

Made-to-Order

Print Option 2. Laser up to 15 Letters

Print Option 3. Laser Logo

Print Option 4. Laser Logo/Text up to 15 Letters + Bar code

Minimum quantities & T&C's apply

#### Colours

Laser - Matt Red

Pastel shades of: Yellow, Blue, Green

Bar Coding on White only

#### Packaging

Standard Packaging : 10 per mat and 1,000 seals/box

Box Dimensions : 32cm x 20cm x 24cm

Box weight : 2.85kg each



Matt Red



Pastel Yellow



Pastel Blue



Pastel Green



White

**TruSeal (Pty) Ltd**

36 Fransen Street, Chamdor, South Africa

Tel: +27 11 762 1040

Email: [sales@truseal.co.za](mailto:sales@truseal.co.za) Web: [www.truseal.co.za](http://www.truseal.co.za)