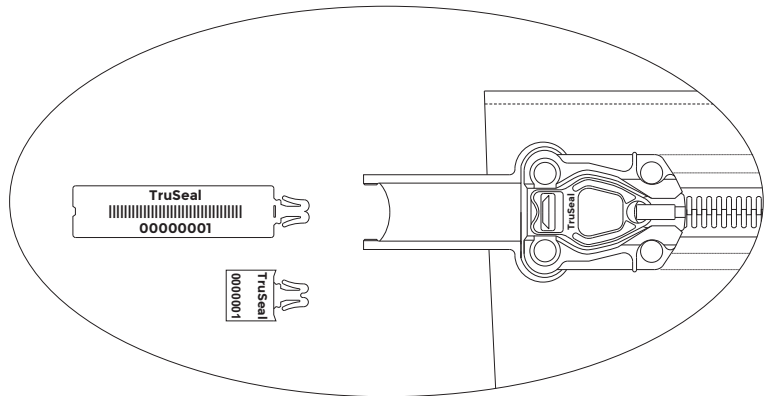


# TruPack™

BY TRUSEAL



TruPack™ 008 Security Bags are manufactured from durable PVC nylon material and are designed to be re-usable. Fitted with TruSeal's security locking chamber which can be used with the either the 004 or bar coded 008 security seals for the safe transport or storage of keys, cash, documents, till trays & valuables

## Technical Data

### Recommended Applications

- Banking
- Retail
- Cash-in-transit
- Gaming
- Hotels
- Restaurants
- Churches
- Anyone needing to secure their valuables

### Material

Re-Enforced PVC Nylon

### Security

Indicative

### Colours

- Black ●
- Red ●
- Blue ●
- Green ●
- Yellow ●

### Sizes [cm] - Std

#### Key Bags

- 17x13
- 23x13
- 30x16

#### Document Bags

- 28x38 A4
- 40x30 A4
- 46x36 A3

### Cash Bags

- 28x19
- 26x28
- 28x35
- 38x40

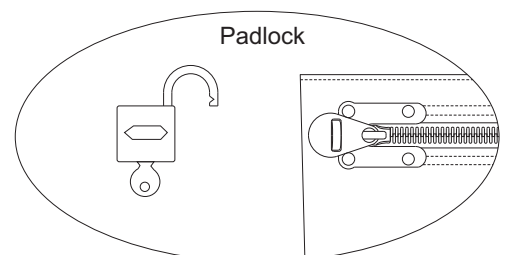
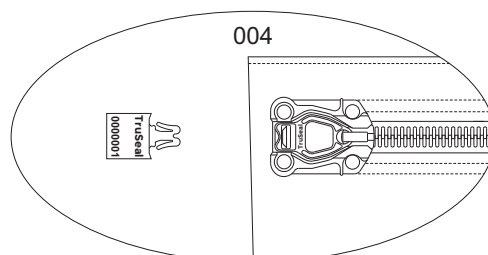
### Gusset/Till Tray Bags

- 40x30x7.5 A4
- 46x36x7.5 A4
- 46x36x10 A3

### Custom Made Bags

Bags can be made to a specific sizing requirement, branded or printed with company name or logo if required.

TruPack™ bags are also available to work with a padlock or 004 numbered seals.



### TruSeal (Pty) Ltd

34 Fransen Street, Chamdor, South Africa P.O. Box 3778 Witbeeck 1729

Tel: +27 11 762 1040 Fax: +27 11 762 2664

Email: [sales@truseal.co.za](mailto:sales@truseal.co.za) Web: [www.truseal.co.za](http://www.truseal.co.za)

Facebook: [TruSealSA](https://www.facebook.com/TruSealSA)